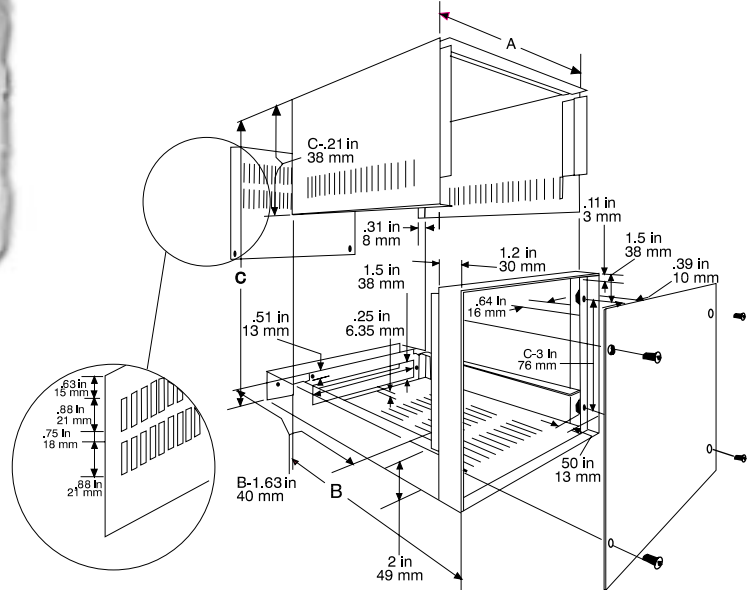


Instrument Case (1452 Series)



KEY FEATURES

- 20 gauge steel cover and 18 gauge base and frame (for strength) finished in contempra grey powder paint.
- Easy to machine .064" (1.6 mm) thick aluminum panel painted satin black one side only.
- Philips nickel plated screws and self-adhesive rubber feet included.
- Replacement screws **1421J6** (Pkg. of 6, 6-32 Philips head screws).

Metal

Part Number	Units	Dimensions		
		A	B	C
1452DE11	inch mm	7.5 191	10.9 277	8.5 216
1452FF13	inch mm	9.5 241	12.9 328	9.5 241
1452FH17	inch mm	9.5 241	16.9 429	11.5 292
1452GC6	inch mm	10.5 267	5.9 150	6.5 165
1452HD7	inch mm	11.5 292	6.9 175	7.5 191
1452KE9	inch mm	13.5 343	8.9 226	8.5 216
1452PG9	inch mm	17.5 445	8.9 226	10.5 267

80



CANADA

Guelph, Ontario (519) 822-2960
St. Laurent, Quebec (514) 343-9010

USA

Cheektowaga, NY (716) 651-0086



EUROPE

Basingstoke, UK +44 1256 812812

AUSTRALASIA

Queenstown, SA, Australia +61 8 8240 2244